



# Highly Integrated Battery Pressure Monitor Sensor

## NBP8-9x

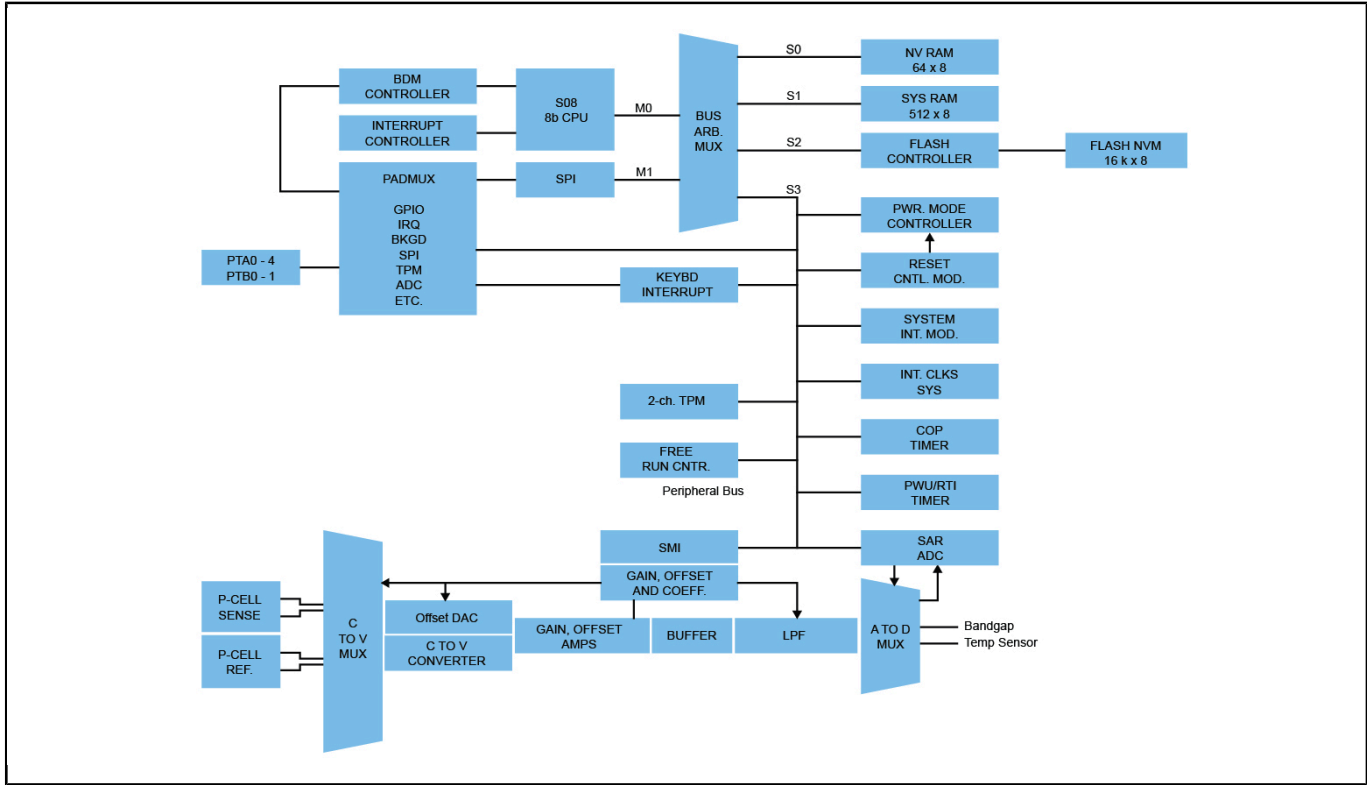
Last Updated: Mar 7, 2024

NBP8FD4ST1 and NBP9FD4ST1 are the recommend devices for new designs as the NBP8FD4T1 and NBP9FD4T1 are discontinued.

The NBP8 and NBP9 is a fully integrated battery pressure monitor sensor family in the NXP pressure sensor portfolio that provides a small footprint in a 4 x 4 mm package, low power consumption, PWM, SPI, ready/interrupt and power supply enable.

The NBPx family consists of small QFN (4 mm x 4 mm x 1.98 mm), fully integrated battery pressure monitoring sensors (BPMS). The NBPx BPMS solution integrates an 8-bit central processing unit (CPU) and NXP-provided firmware to create the ready-to-use pressure sensor. The battery pressure monitoring sensors have a built in MCU and are capable of sensing the pressure change, making a configuration-based decision and acting on this decision while providing this information to the host system.

# NBP8-9x Block Diagram Block Diagram



View additional information for [Highly Integrated Battery Pressure Monitor Sensor](#).

**Note:** The information on this document is subject to change without notice.

[www.nxp.com](http://www.nxp.com)

NXP and the NXP logo are trademarks of NXP B.V. All other product or service names are the property of their respective owners. The related technology may be protected by any or all of patents, copyrights, designs and trade secrets. All rights reserved. © 2024 NXP B.V.